



BENCH HANDPUMP PRESS 10 ton “ECM01113”



LARZEP, S.A.
Avenida Urtiaga, 6
48269 MALLABIA, SPAIN
Tel. +34 943 171200
Fax. +34 943 174166
e-mail: sales@larzep.com
www.larzep.com

LARZEP AUSTRALIA PTY. LTD.
139 Wedgewood Road,
HALLAM, VIC. 3803 AUSTRALIA
Tel. +61 (3) 9796 3744
Fax. +61 (3) 9796 5964
e-mail: sales@larzep.com.au
www.larzep.com.au

LARZEP AUSTRALIA PTY. LTD.
49A Sustainable Avenue
BIBRA LAKE, WA 6163 AUSTRALIA
Tel. +61 (8) 9418 4988
Fax. +61 (8) 9418 2644
e-mail: sales@larzep.com.au
www.larzep.com.au

INDEX


1. BEFORE USING THE EQUIPMENT ----- 2
2. TECHNICAL FEATURES -----2
3. ESSENTIAL SAFETY REQUIREMENTS -----3
4. TRANSPORT AND ERECTION -----3
5. MAINTENANCE -----4
6. WARRANTY PROCEDURE -----4
7. DECLARATION OF CONFORMITY-----5
ANNEX
 • GENERAL DRAWING

1. BEFORE USING THE EQUIPMENT.


Upon removing the protective packaging from the crane, carefully inspect it. Check for:

- 1- Oil leaks, signs of corrosion.
- 2- Damage to the hydraulic cylinder and hydraulic line.
- 3- Cracks or dents on the frame and the hydraulic cylinder's attachments to the frame.
- 4- Loose or damaged screws or joints.
- 5- Damaged or incorrectly assembled accessories.

If you find any damage or fault with the product, clearly label it and place it in a location where it will not be available for use until an authorized service dealer has repaired the fault.


 **Never use hydraulic equipment that is damaged or suspected to be in poor condition.**

Familiarize yourself and your co-workers with the equipment. Before you begin using the jack, carefully read and observe all instructions and recommendations enclosed in the packaging. Your negligence in this matter may cause personal injury or material damage.

 **Do not loose the instruction manual.**

Before using the equipment for the first time, purge any air from the hydraulic circuit by opening the pump's relief valve, placing the pump with its head down, and pumping several times.

Do not operate hydraulic equipment near open flame, explosives, and sources of intense heat or any other hazard, which could cause a fire or the damage equipment. The hydraulic equipment should not be exposed to temperatures greater than 60°C when in use or when stored.

 If purchasing just a cylinder or pump for use in a press, ensure that you are using the proper combination of pump, cylinder and press frame before assembling the unit. We recommend you seek professional advice on the matter.

When choosing a place for the press, ensure that it will be located over firm, level ground such that the entire base of the press contacts the ground. If any doubt exists as to whether the ground will be able to support the press and the additional weight it will see when in use, distribute the weight over a larger area by placing rigid steel beams or planks under the base of the press.

Store the press with the cylinder's piston fully retracted.

We recommend you wrap the cylinder in a protective plastic or place it in a location free of dirt, dust, steel shavings and other foreign matter, which can enter into the cylinder and damage its components.

2. TECHNICAL FEATURES.

HYDRAULIC CYLINDER

MODEL	KC01113
• Max. Pushing Capacity (ton)	11, 12 ton
• Max. Working Pressure (Kg/cm ²)	700 Kg/cm ²
• Hydraulic Stroke (mm)	130 mm
• Oil capacity (cc)	214, 7 cc
• Area (cm ²)	15,9 cm ²

HAND PUMP

MODEL	W10707
• Tank Capacity (cc)	660 cc.
• Working Pressure (Kg/cm ²)	700 Kg/cm ²

WELDED-MECHANIZED FRAME

MODEL	ECM01113
• Working height (mm.)	352 mm.
• Working width (mm.)	350 mm.
• Total weight (Kg.)	41 Kg.

3. ESSENTIAL SAFETY REQUIREMENTS.

DANGEROUS AREA



Due to the *FUNCTIONAL REASONS* it is considered to be the space between the columns, the bed and the hydraulic cylinder piston. Due to the *MATERIAL PRESSED* it is supposed to be surrounding area to the machine in case of metal parts being ejected during pressing.

The speed of the hydraulic cylinder during its extension is less than 30 mm/second. Therefore then machine should be considered by the application of ANNEX V of the Declaration of CE Conformity.

Operators standing in the dangerous area around the machine should protect their feet, faces and hands from metal pieces being ejected during pressing.



Feet protection



Face protection



Hands protection

Used materials and components are not for the health and safety of operators. The hand pump contains LARZEP hydraulic oil ISO: HV46.



HYDRAULIC OIL IS TOXIC IF IT ENTERS THE BLOODS STREAM. NEVER PLACE A FINGER OVER ANY ORIFICE OR LEAK, WHICH COULD BE PRESSURIZED, SUCH AS THE HYDRAULIC LINE, AS THIS COULD CAUSE OIL TO BE INJECTED INTO BLOOD STREAM.

- ❖ The pump lever performs the advance of the cylinder.
- ❖ The pump includes an operating screw to relief the cylinder pressure that allows the oil return to the pump.
- ❖ For the equipment working the connection of the pump to the cylinder is necessary.
- ❖ In order to stop the advance pushing of the cylinder, we must stop operating the pump pedal. For a new start-up it is necessary to operate the pump pedal.
- ❖ The construction of machine has been calculated to bear without any breaking under conditions of foreseen utilization and for the whole life of the machine. The hydraulic components have been designed and calculated in compliance with the ANSI B30.1, and have been proved to 875Kg./cm² of pressing.
- ❖ The frame of the machine does not cause to be dangerous in that sense.
- ❖ The hydraulic pump is equipped with an internal security valve in the tank, out of operator's control and rated at 700 Kg./ cm². The hydraulic cylinder is also furnisher with a pressure relief valve, rated at 700 Kg./ cm², which prevents the retraction chamber of the cylinder from overpressures in case of obstruction of the return way.
- ❖ All the maintenance operations must be performed while the machine is stopped, thus avoiding this way any potentially dangerous situation. A poor maintenance program of the press does not increase the risk, but obviously will revert in a lower performance.
- ❖ The hydraulic pump is mounted out of the frame and access is very easy. To disassemble the pump unscrews the bolts in the tap cover. In order to disassemble the cylinder it is required first to disassemble the piping and the cylinder from the frame.
- ❖ Release the rapid coupling from the pump.
- ❖ The machine is designed to assure that the operator performs all maintenance tasks in an easy and safe way. All the components that would require any maintenance operation are easy accessible.
- ❖ The press, the cylinder and the pump have their corresponding serial numbers marked on them. In addition to it, you can find a sticker label showing the commercial reference, capacity, working pressure, name and address of the manufacturer.

4. TRANSPORT AND INSTALLATION.

The machine is delivered properly packed in a wooden ballet. For it's handling, it is recommended to use a forklift truck or a crane. In the last case, it is necessary to make the slings trespass the arc of the frame. When doing this operation, you should be cautious and prevent the flexible hoses and couplings from any damage.



The machine is stable enough to operate without fixing, but if is placed in an area commonly operated by mobile machinery (cranes, lifting equipment...) it is strongly recommended to fix it to the desired place by drilling the supporting plates.

HYDRAULIC CONNECTION

Unscrew the rapid coupler site in the cylinder, and connect the hose, screwing the rapid coupler to the limit with the hand.

INSTALLING THE GAUGE

- 1-Replace the threaded tap in the top of the cylinder by the gauge. (Supplied separately).
- 2-Tighten the gauge cone to the gauge adaptor seat by using a flan wrench size 22.
- 3-Hold the gauge screen by hand during threading process and after reaching a comfortable reading position set the gauge screen free so that it turns the last quarter solidarity with the thread.

CHECKING THE RIGHT OPERATION OF ALL DEVICES AND MECHANISM

- 1º Select the working maximum pressure. In manual presses 700 Kg/cm².
- 2º Put the hand in the lever.
- 3º Pump it several times.
- 4º Check the cylinder advance.
- 5º Check the piston return by the internal spring. In both cases, to maintain the movement is necessary to push the pedal.
- 6º Without put anything in the press, repeat the advance movement, pumping until reaching the cylinder full stroke. In that moment the pressure will start to be increased and we can observe it now in the gauge. This pressure will go on increasing until reaching the installation maximum pressure, previously chosen. In this stage, the cylinder maintains the reached pressure, (the gauge maintains the reading). Check there are no leaks in the installation (gauge intake, coupler, etc.)
- 7º To retract the cylinder and eliminate the installation pressure open the washer turning it to the left. The piston retracts by the internal spring. The return may be slower at the end of the backstroke.
- 8º Put the material to be treated in the press.

MAXIMUM WORKING PRESSURE

The maximum pressure developed by the hydraulic system is 700 Kg./cm². An internal security valve discharges when the system reaches that pressure.

5. MAINTENANCE.

The hydraulic circuit of the press is closed, so in normal conditions no oil leakage should be coming up. In case of oil leakage, after the proper repairing work, you should fill up the tank with hydraulic oil by LARZEP (Ref. AZ8901); the pump is equipped with an oil level indicator to control the need quantity of oil. As far as a non-continuous use of the press is concerned (1 hour per day), oil replacement should be done once a year.



To empty the tank, you should remove the cover and take the oil out to another container. Please, bear in mind the existing rules for waste processing when handling the used oil.

Keep greasy and lubricated the pin bearings, the piston and in general all the parts that might be in friction.

- ❖ FREQUENT INSPECTION: a visual inspection carried out before and after each operation.
- ❖ PERIODIC INSPECTION: a thorough examination of the equipment, both externally and internally. The equipment is labelled with the inspection date and the data is logged in a register.

In a FREQUENT INSPECTION, check for:

- Piston wear, signs of corrosion
- Wear or damage to the cylinder, accessories or pump.
- Cracks, dents or any other damage to the frame, cylinder attachments, work table and its supports
- Oil leaks, loosed or damaged screws or joints

In a PERIODIC INSPECTION, check for the same problems as in a frequent inspection but in addition, the hydraulic equipment should be disassembled and cleaned by an authorized service dealer so that it may be examined internally.

Periodically clean and lubricate the press's moving parts, such as the piston, winch, pumping mechanism, etc. This is especially important when working in salty or humid environments.

Hydraulics equipment, which is subject to the very severe environmental conditions mentioned, previously should be cleaned and lubricated after each use.

To clean the hydraulic equipment, begin by removing the pump's oil reservoir plug and draining all the oil.

USE ONLY LARZEP HYDRAULIC OIL

Other grades of oils or types of hydraulic fluid (such as brake fluid) may affect the performance of the equipment or cause the deterioration of the seals.



DO NO ATTEMPT TO FILL THE PUMP WITH OIL WHILE IT IS CONNECTED TO A CYLINDER WHICH IS SUSTAINING A LOAD BECAUSE IT MAY OVERPRESSURIZE THE RESERVOIR WHEN THE PISTON RETRACTS AND CAUSE DAMAGE OR INJURY

Always use the original LARZEP parts to prolong the service life of your hydraulic equipment. LARZEP S.A. or your authorized dealer can supply you with original parts for simple maintenance work.

PROBLEMS	CAUSES	SOLUTIONS
1. The piston does not advance.	- The pump's relief valve is open.	1. Close the relief valve.
	- Air in the hydraulic circuit.	2. Purge the pump.
	- No oil in the reservoir.	3. Fill the oil reservoir until the oil level reaches the plug's orifice.
	- Dirt in the hydraulic circuit.	4. Clean the hydraulic circuit.
	- Worn or damaged check valve.	5. Take the press to an authorized service dealer.
2. The piston advances in spurts.	- Improperly connected hydraulic line	6. Ensure that the hydraulic line is properly connected to the pump and cylinder.
	- Air in the hydraulic circuit.	See Solution 2.
3. The piston will not fully extend.	- Deformed piston.	See Solution 5.
	- Low oil level.	See Solution 3.
4. The cylinder loses pressure.	- Deformed piston.	See Solution 5.
	- Air in the hydraulic circuit.	See Solution 2.
	- Dirt in the hydraulic circuit.	See Solution 4.
	- Worn or damaged check valve.	See Solution 5.
5. Oil leak.	- Worn or damaged O-rings	See Solution 5.
	- Worn or damaged O-rings	See Solution 5.
	- Improperly connected hydraulic line	See Solution 5.
6. Piston does not fully retract.	- Damaged return spring.	See Solution 5.
	- Excessive oil in the reservoir.	7. Remove the oil reservoir plug and dump the excess oil.
	- Deformed piston	See Solution 5.
	- Worn or damaged check valve.	See Solution 5.
	- Dirt in the hydraulic circuit.	See Solution 4.
7. Piston does no retract.	- Damaged return spring.	See Solution 5.
	- Relief valve closed.	8. Open the relief valve
	- Deformed piston	See Solution 5.
	- Dirt in the hydraulic circuit.	See Solution 4.
	- Excessive oil in the reservoir	See Solution 7.
	- Damaged return spring.	See Solution 5.

6. WARRANTY.

LARZEP, S.A. guarantees its products against all design and manufacturing defects for the durations of two years from the date of purchase. This guarantee does not include the ordinary wear of both metal and non-metal parts, abuse, using the equipment beyond its rated capacity and any wear or damage incurred as a result of using a hydraulic fluid which is not recommended by LARZEP, S.A.

Please note that if the equipment is disassembled or serviced by anyone other than an authorized service dealer or by LARZEP, S.A., this guarantee is rendered null and void.

In the event of a warranty claim, return the equipment, to LARZEP, S.A. or the authorized dealer which sold you the hydraulic equipment, LARZEP, S.A. will repair or replace the faulty equipment, whichever is deemed most appropriate. LARZEP, S.A. shall not be held liable for any consequential damages or losses, which may occur as a result of faulty equipment

7. DECLARATION OF CONFORMITY.

DECLARACION DE CONFORMIDAD

E

LARZEP, S.A.
Dirección: Avda. Urtiaga, 6
48269 Mallabia ESPAÑA

Declaramos bajo nuestra exclusiva responsabilidad la conformidad de los productos a los que refiere esta declaración, con las disposiciones de la directiva: 2006/42/CE

DECLARATION OF CONFORMITY

F

Nous, LARZEP, S.A.
Adresse: Avda. Urtiaga, 6
48269 Mallabia SPAIN

Déclarons sous notre seule responsabilité que les produits auxquels se réfère cette déclaration sont conformes aux dispositions des Directives: 2006/42/EC

DECLARAÇÃO DE CONFORMIDADE

P

Nós, LARZEP, S.A.
Endereço: Avda. Urtiaga, 6
48269 Mallabia SPAIN

Declaramos, sob nossa única responsabilidade, que os seguintes produtos, incluídos nesta declaração estão em conformidade com o disposto na Directiva: 2006/42/EC

ÖVERENSSTEMMELSEERKLÄRING

DK

Vi, LARZEP, S.A.
Adresse: Avda. Urtiaga, 6
48269 Mallabia SPAIN

Erklærer på eget ansvar, at følgende produkter som er omfattet af denne erklæring, er i overensstemmelse med bestemmelserne i Direktiv: 2006/42/EC

ERKLÆRING OM OVERENSSTEMMELSE

N

Vi, LARZEP, S.A.
Adresse: Avda. Urtiaga, 6
48269 Mallabia SPAIN

Erklærer på eget ansvar, at følgende produkter som dekkes af denne erklæring, er i overensstemmelse med bestemmelserne i Direktiv: 2006/42/EC

ÜBEREINSTIMMUNGSERKLÄRUNG

D

Wir, LARZEP, S.A.
Anschrift: Avda. Urtiaga, 6
48269 Mallabia SPAIN

Erklären auf eigene Verantwortung, daß folgende Produkte, auf die sich diese Erklärung bezieht, mit den Bedingungen der Direktiven, 2006/42/EC übereinstimmen.

Tipo, Type, Typ, Tyypit.

SM / SH / SP / SMP / SPR / SX / SMX / ST / STR / STX / SL / SAM / SAH / SAT / SATM / SSR / T / TE / TD / D / DH / DDR / DAH / DDA / DM / DI / JM / JH / JP / Z / ZR / W / WP / X / HAM / HAE / HAZ / HAG / HAS / HFM / HFE / HAP / HAT / HAB / WI / CK / CC / CN / FU / FV / FZ / FA / FX / FT / CY / AA / AU / CT / C / KC / LAS / LAX / CB / CH / CM / PH

A / AB / AC / B / AF / F / HN / HL / DLG / VA / VB / VC / VZ / ECE / ECM / ECZ / EE / EM / EZ / CA / CS

AZ / AP / AR / AV / AT / AX / AY / AM

Mallabia, ESPAÑA 2009 / 12 / 29

Lugar y fecha, place and date, lieu et date, plats och datum, paikka ja päivämäärä, udstedelsessted og-dato, ort und datum, plaats en datum, local e data, luogo e data.

DECLARATION OF CONFORMITY

GB

We, LARZEP, S.A.
Address: Avda. Urtiaga, 6
48269 Mallabia SPAIN

Declare under our sole responsibility that the following products to which this declaration relates conform with the provisions of Directives: 2006/42/EC

DICHIARAZIONE DI CONFORMITÀ

I

Noi, LARZEP, S.A.
Indirizzo: Avda. Urtiaga, 6
48269 Mallabia SPAIN

Dichiariamo sotto la nostra esclusiva responsabilità che i prodotti ai quali questa dichiarazione si riferisce sono conformi quanto previsto dalle Direttive: 2006/42/EC

VAATIMUSTEMUKAISUUSVAKUUTUS.

FIN

Me, LARZEP, S.A.
Osoite: Avda. Urtiaga, 6
48269 Mallabia SPAIN

Vakuutamme yksinomaan omalla vastuullamme, että seuraavat tuotteet, joihin tämä vakuutus liittyy, ovat seuraavien Direktiivien vaatimusten mukaisia: 2006/42/EC

VERKLARING VAN OVEREENKOMST.

NL

Wij, LARZEP, S.A.
Adres: Avda. Urtiaga, 6
48269 Mallabia SPAIN

Verklaren geheel onder eigen verantwoordelijkheid dat de volgende producten, waarop deze verklaring heeft in overeenstemming zijn met de bepalingen van Richtlijn: 2006/42/EC

FÖRSÄKRAN OM ÖVERESSTÄMMELSE

S

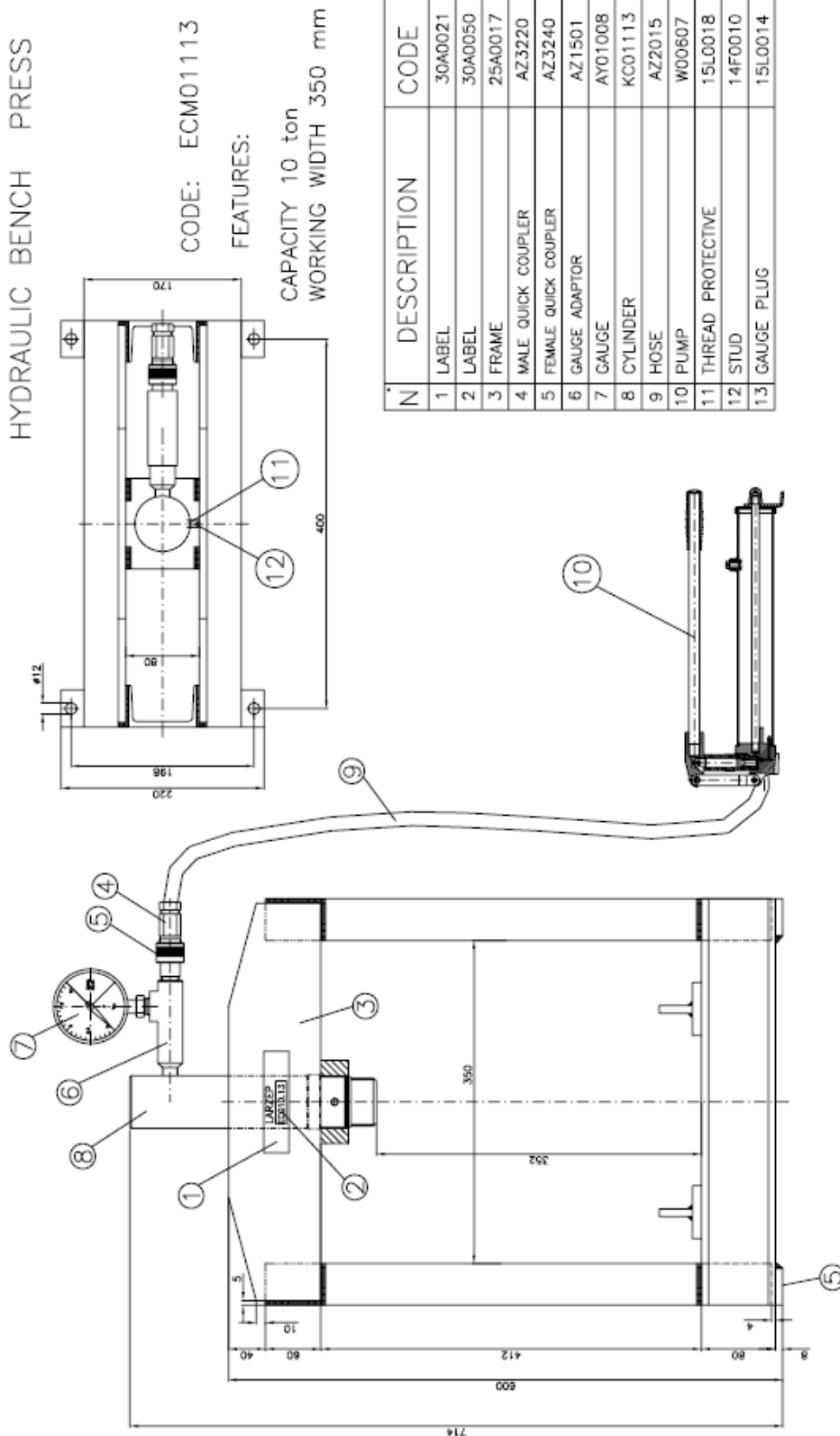
Vi, LARZEP, S.A.
Adress: Avda. Urtiaga, 6
48269 Mallabia SPAIN

Försäkrar under eget ansvar att följande produkter som omfattas av denna försäkrans är i överensstämmelse med villkoren i Direktiv: 2006/42/EC

LARZEP, S.A.

Nombre y firma, name and signature, nom et signature, namn och underskrift, nimi ja nimikirjoitus, navn og underskrift, name und unterschift, naam en handtekening, nome e assinatura, nome e firma.

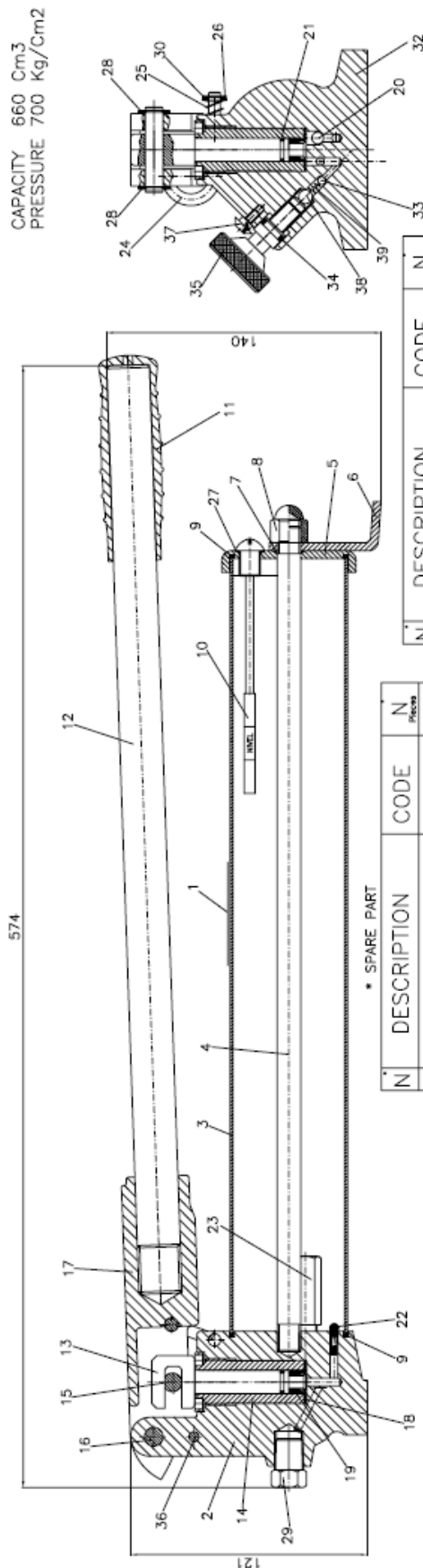
GENERAL DRAWING N° 1



GENERAL DRAWING N° 2

SINGLE ACTING HYDRAULIC HAND PUMP

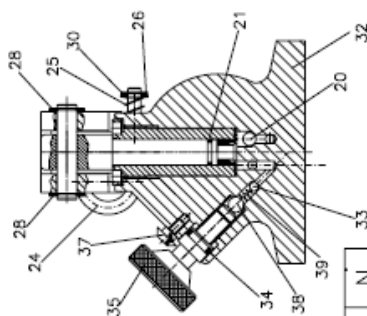
Reference: W00607
CAPACITY 660 Cm³
PRESSURE 700 Kg/Cm²



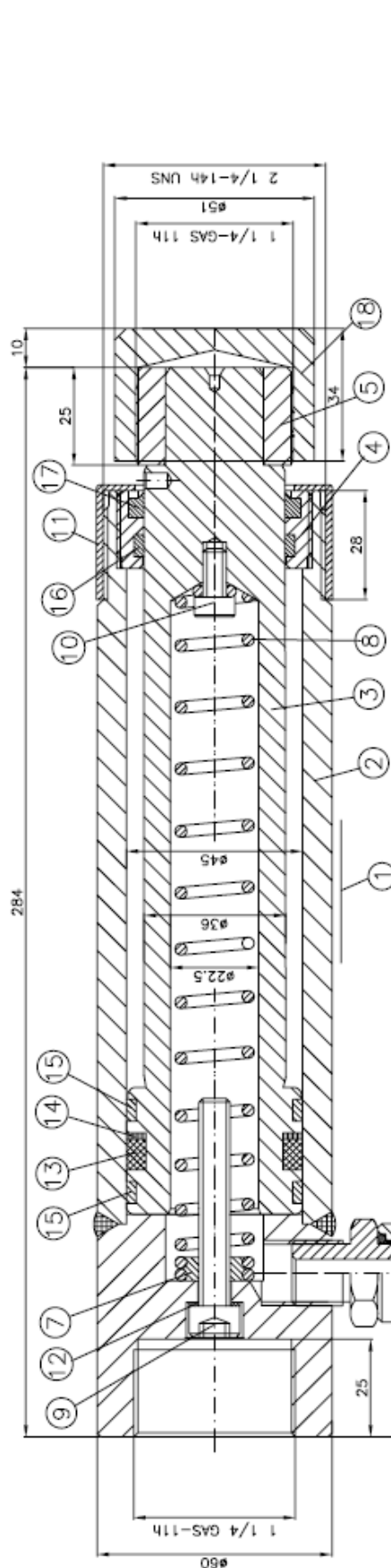
N°	DESCRIPTION	CODE	N° Pieces
1	LABEL	30A0023	1
2	BASE SUBSET	50K0036	1
3	TANK	51B0042	1
4	TANK SHAFT	15I0003	1
5	TANK COVER	32A0013	1
6	TANK LEG	24L0015	1
7	O-RING AN9	12A0048	1
8	ACORN NUT	14B0004	1
9	SEALING RING	57F0016	2
10	LEVEL PLUG OVERALL	15L0117	1
11	HANDLE GRIP	24C0006	1
12	HANDLE	24A0007	1
13	PISTON	54C0004	1
14	BODY	1500023	1
15	SHAFT	15I0007	1
16	SHAFT	15I0008	1
17	HANDLE SOCKET	24B0026	1
18	WASHER	57B0011	1
19	SEAL U-CUP	12J0004	1
20	SPHERE #6	31A0001	1
21	O-RING AN7	12A0051	1
22	FILTER	13F0001	1
23	750 Kg/cm ² RATED VALVE	17C0006	1
24	TRANSPORT SHAFT	15I0159	1
25	SPRING	1300003	1
26	RETENTION WASHER	14D0042	1

N°	DESCRIPTION	CODE	N° Pieces
32	BASE	50K0032	1
33	SPHERE #4	31A0002	1
34	O-RING AN8	12A0047	1
35	DRIVE SCREW	15H0008	1
36	PIN	14E0002	1
37	SCOTCH SCREW	15L0022	1
38	SPHERE #6	31A0001	1
39	RETURN SPRING	1300136	1

N°	DESCRIPTION	CODE	N° Pieces
27	O-RING	12A0051	1
28	SECURITY WASHER	14D0001	2
29	PLUG	15L0003	1
30	WASHER FOR M6	14C0004	1
31	BOARD CASE	21D0019	1



GENERAL DRAWING N° 3



SINGLE ACTING SPRING RETURN CYLINDER

Reference: KC01113
 CAPACITY 11.12 Tm (109.1 Kn)
 PRESSURE 700 Kg/Cm
 CLOSED HEIGHT 284 mm
 STROKE 133 mm
 AREA 15.9 Cm²
 OIL CAPACITY 214.7 Cm³

N	DESCRIPTION	REFERENCE GASKET	CODE	N pieces
1	LABEL		30A0017	1
2	BODY		52H0007	1
3	PISTON		53H0012	1
4	GUIDE		55E0054	1
5	SADDLE		56H0008	1
6	FEMALE COUPLER		AZ3240	1
7	SPRING TIE		24F0071	1
8	SPRING		13A0139	1
9	ALLEN SCREW M8x55		14A0117	1
10	ALLEN SCREW M6x10		14A0004	1
11	THREAD PROTECTIVE		12L0002	1
12	COPPER WASHER		57B0005	1
*13	COLLAR 45x35x7.3	4315700	12B0199	1
*14	SEGMENT		57A0052	1
*15	GUIDE RING 45x40x5.6	GP6500450-C380	58F0136	2
*16	GUIDE RING 36x41x5.6	GR6500360-C380	58F0123	1
*17	SCRAPER 36x44x6	WD2200360-WUM03	12H0063	1
18	DENTED KNOB		56H0003	1

* SPARE PART