

SINGLE ACTING HOLLOW PISTON CYLINDERS, SPRING RETURN



LARZEP advantages

- Hollow cylinders from 12 to 100 Tn, stroke up to 150 mm.
- Designed for carrying out push and pull operations.
- Tightening of cables, bars, bolts, etc. Extraction of sleeves, bearings, etc.
- Hollow hard chrome-plated piston.
- Collar threads, piston thread and base holes for easy fixing.
- Interchangeable with our complete puller range.
- Hollow plain saddle as standard. Optional solid or threaded saddles available.

Strand jacks and Post tensioning available upon request.



Carefully read and understand the safety instructions.



Capacity		Stroke	Model	Oil Cap.	A	B	C	
Tn	kN	mm	LARZEP	cm ³	mm	mm	mm	
12	121	40	SH01204	70	124	164	21	
		76	SH01208	134	176	252	21	
		150	SH01215	264	300	450	21	
22	217	50	SH02205	158	165	215	27	
		150	SH02215	474	318	468	27	
30	302	50	SH03005	220	180	230	33	
		150	SH03015	660	322	472	33	
60	578	76	SH06008	640	253	329	56	
		153	SH06015	1.288	341	494	56	
100	1.018	80	SH10008	1.187	306	386	81	



Interchangeables
Saddles: plain,
threaded or solid.

Page. 112

HOLLOW PISTON CYLINDERS

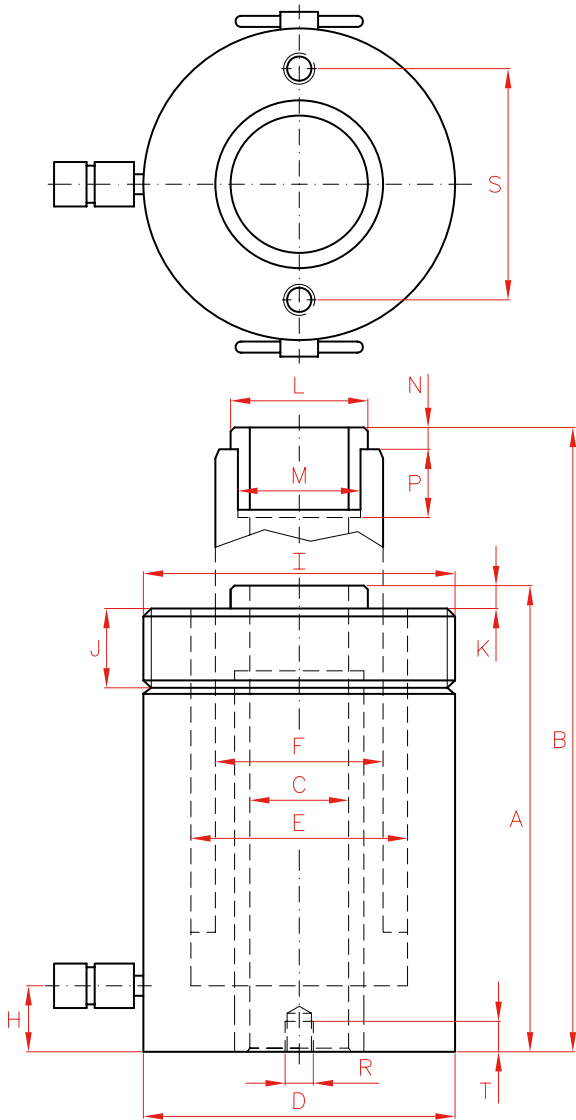


SH

12-100 Tn.

700 bar

CYLINDERS



Cylinder and Pump Sets.

Page. 76



Aluminium Single Acting,
Hollow Piston Cylinders
SAH.

Page. 18



Double Acting Hollow
Piston Cylinders, DH.

Page. 64

	D	E	F	H	I	J	K	L	M	N	P	R	S	T	Area	Weight	Model
	mm	mm	mm	mm	UN	mm	mm	mm	UN	mm	mm	UN	mm	mm	cm ²	kg	LARZEP
	75	55	40	19	2 3/4"-16	30	3	34	M28*1,5	7	18	5/16"-18	51	12	18	4,0	SH01204
	75	55	40	19	2 3/4"-16	30	3	34	M28*1,5	7	18	5/16"-18	51	12	18	5,0	SH01208
	75	55	40	19	2 3/4"-16	30	3	34	M28*1,5	7	18	5/16"-18	51	12	18	8,5	SH01215
	105	75	56	23	3 7/8"-12	38	3	48	1 9/16"-16	8	20	3/8"-16	83	15	32	9,5	SH02205
	105	75	56	23	3 7/8"-12	38	3	48	1 9/16"-16	8	20	3/8"-16	83	15	32	18,0	SH02215
	120	90	68	26	4 1/2"-12	42	4	55	1 13/16"-16	9	22	3/8"-16	92	17	44	14,0	SH03005
	120	90	68	26	4 1/2"-12	42	4	55	1 13/16"-16	9	22	3/8"-16	92	17	44	23,5	SH03015
	165	125	95	31	6 1/4"-12	48	4	80	2 3/4"-16	12	22	1/2"-13	130	14	84	35,0	SH06008
	165	125	95	31	6 1/4"-12	48	4	80	2 3/4"-16	12	22	1/2"-13	130	14	84	44,0	SH06015
	220	170	130	37	8 3/8"-12	60	5	116	4"-16	13	25	5/8"-11	178	19	148	73,0	SH10008