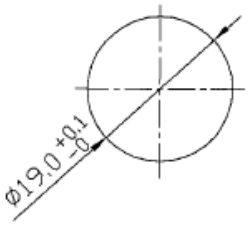
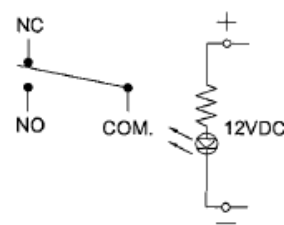
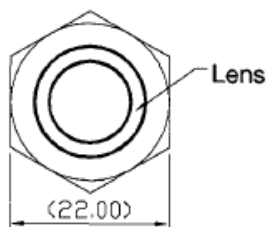
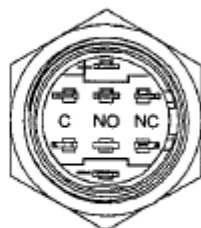
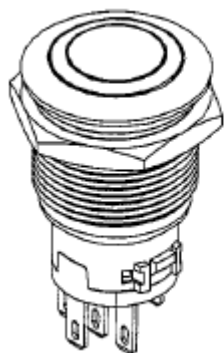
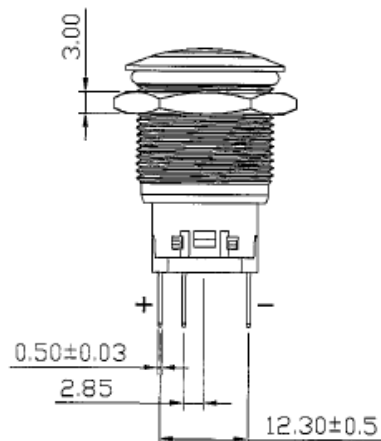
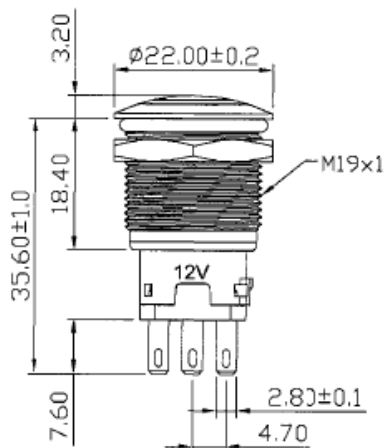
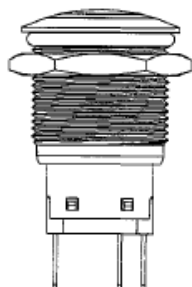


1570-30263

Rating	10A 14VDC	 <p>Thickness: 0.7~10.0</p>	 <p>LED independent</p>
Contact Resistance	50m ohm Max.		
Insulation Resistance	DC 500V 100M ohm Min.		
Dielectric Strength	AC 500V 1 minute		
Operation Temperature	-20°C~+70°C		
Switch Function	5P SPDT ON-ON (LED independent)		



***MATERIAL:**
 Frame: SUS304
 Actuator: SUS304
 Lens: PC, Blue clear
 LED: Blue
 Hex Nut: SUS304
 Hosing: Black, PA#66
 Bottom: Black, PBT+15%GF
***Water Proof: IP67 with Panel seal**



STARTAX

Maahantuaja:
 Startax Finland Oy

Kannistontie 138, 33880 Lempäälä | puh. (03) 275 050 fax. (03) 275 0555
 www.startax.net