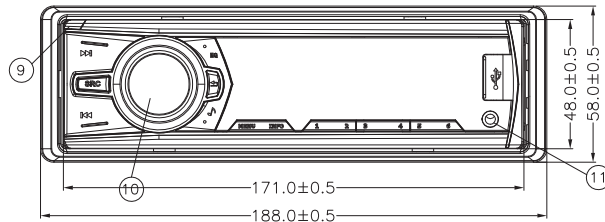
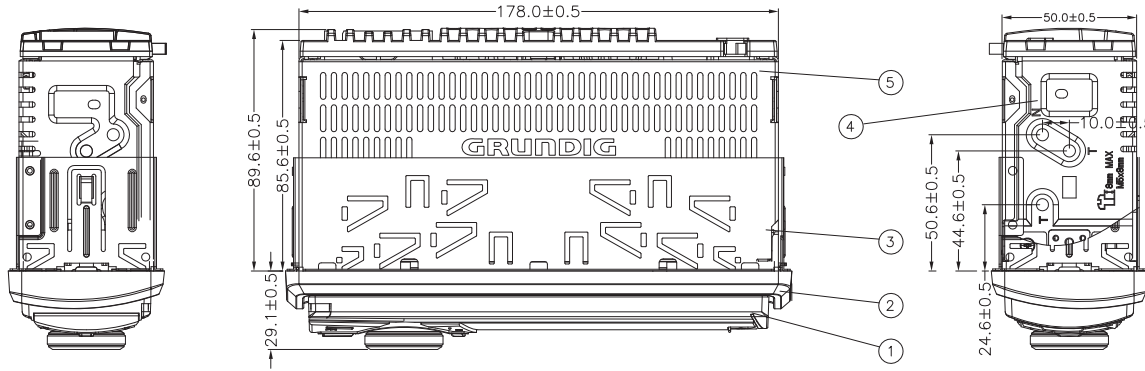


Figure 1

ISO CONNECTOR 4PIN+8PIN FEMALE WITH MALE TERMINAL



ISO CONNECTOR WIRING CHART

PIN	WIRE COLOR	FUNCTION/LABEL
A4	YELLOW	BATTERY(+)
A5	BLUE	POWER ANTENNA
A6	Orange/White	illumination/pink
A7	RED	+12VOLTS SWITCHED
A8	BLACK	GROUND
B1	VIOLET	RIGHT REAR SPEAKER (+)
B2	VIOLET/BLACK	RIGHT REAR SPEAKER (-)
B3	GREY	RIGHT FRONT SPEAKER (+)
B4	GREY/BLACK	RIGHT FRONT SPEAKER (-)
B5	WHITE	LEFT FRONT SPEAKER (+)
B6	WHITE/BLACK	LEFT FRONT SPEAKER (-)
B7	GREEN	LEFT REAR SPEAKER (+)
B8	GREEN/BLACK	LEFT REAR SPEAKER (-)

11	AUX JACK			1
10	VOL BUTTON	ABS		1
9	RELEASE BUTTON	PC		1
8	FUSE	PC	250V 15A FUSE	1
7	ISO CONNECTOR	PC		1
6	HEAT SINK	ADC12		1
5	TOP COVER	0.6t EGI		1
4	MAIN CHASSIS	0.8t EGI		1
3	R/L mounting bracket	1.2t EGI		2
2	TRIM PLATE	ABS		1
1	DETACHABLE FRONT PANEL			1
NO	NAME	MATERIAL		QT