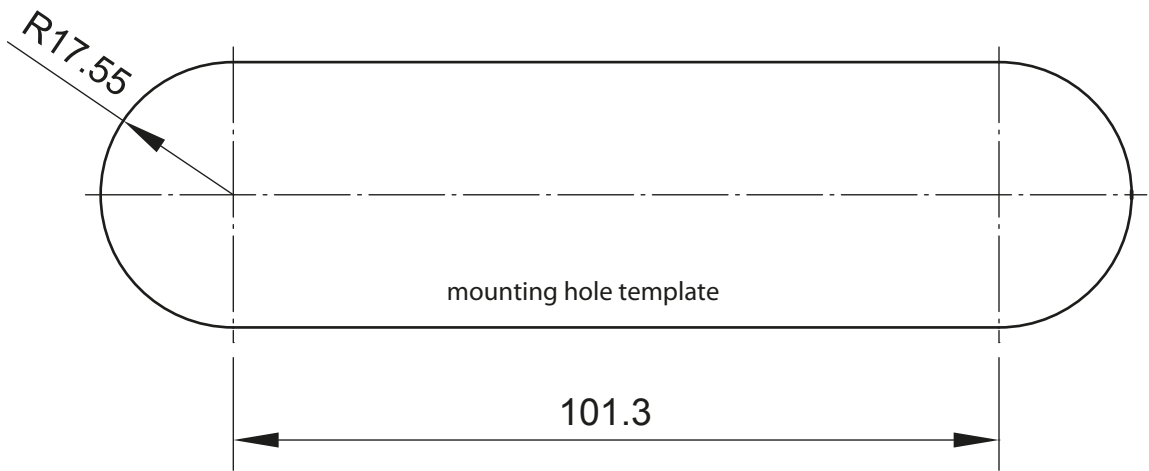


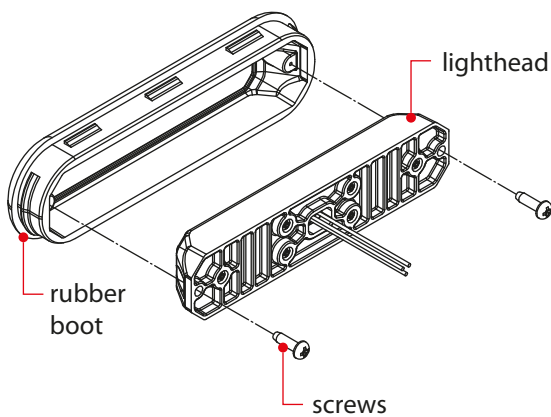
MS6BS Rubber Boot manual

Sopii vilkkuihin:
 1603-300505, 1603-300506
 1603-300507, 1603-300508
 1603-300516, 1603-300517

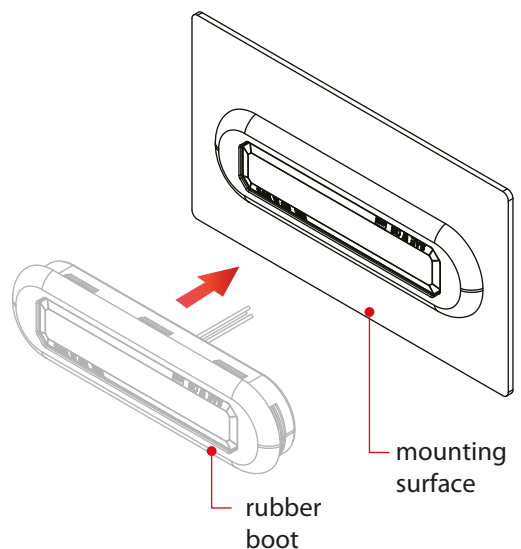
1. Use template to mark mounting hole, and drill accordingly. (dimensions in mm)



2. Insert lighthouse to rubber boot, and secure lighthouse with supplied screws.



3. Insert assembled rubber boot into mounting hole, and ensure that it is leveled with the mounting surface.



STARTAX_{oy}

Auto-Electronics Oy
 Kannistontie 138, 33880 Lempäälä
 puh (03) 275 050, fax (03) 275 0555
 startax@startax.net
www.startax.net