

SW830-2

Multi-purpose Switch



FEATURES

- 7 switches control panel with 3 x 0.2Amp and 4 x 0.1Amp outputs for auxiliary device power or function activation.
- 3 Button / 4 Button mutually exclusive control grouping for Traffic Arrow application.
- 1 Programable Short Cut Button for quick activation of pre-set buttons.
- Backlit rubber touch buttons.
- Fully programmable buttons in ON/OFF or momentary switch mode.
- European Siren Interlock compatible.
- 10 LED signal indicator for your lightbar or traffic director.
- 35 selectable icon stickers to clearly label your panel.

SPECIFICATIONS

Compliance: ECE R10

Operating Voltage: 10~24VDC

Input Current: max 1.2A / min 0.01A

Output Voltage: 10~24VDC

Output Current: max 0.2A x 3 ports /
max 0.1A x 4 ports

Fuse Rating: 1.5A @ Input

Storage Temp.: -40°C ~ 75°C

Operating Temp.: -30°C ~ 65°C

Cable: 120cm (22AWG) x 10 wires

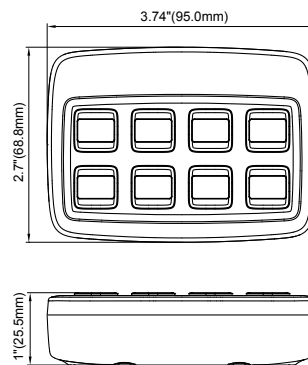
RECOMMENDED RELAY SPECIFICATION (USER-SUPPLIED)

Input Voltage: 10~24 VDC

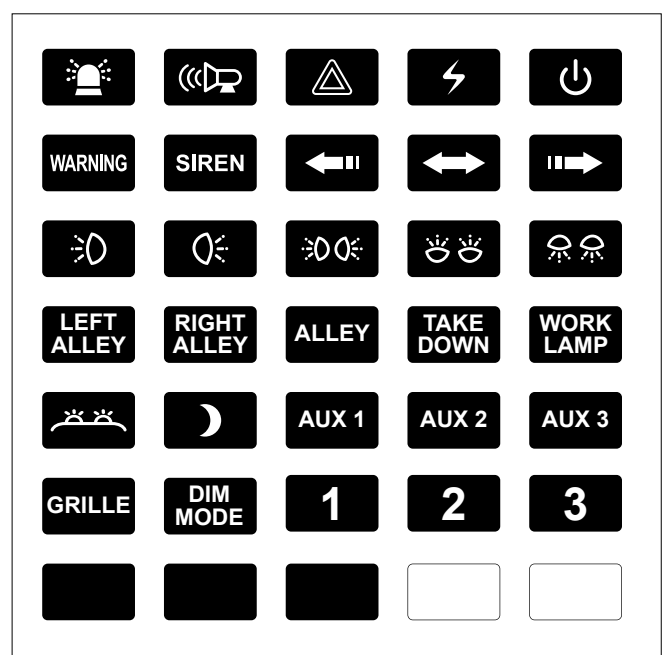
Input Current: < 200mA

DIMENSIONS

Control Panel



ICON STICKER



Brilliantly together

SW830 Series Switch Control Panel

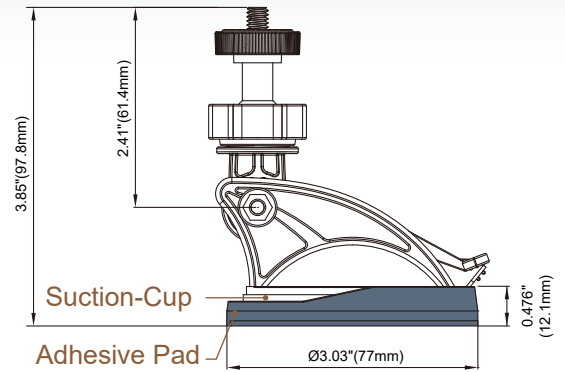
Easy Lightbar Control in One Touch.



Features :

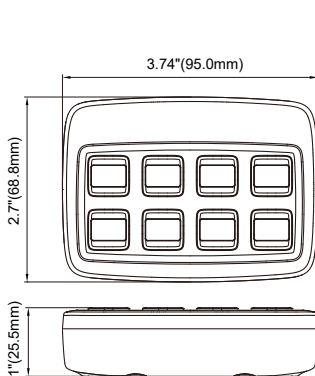
- ✓ Multi-purpose control panel.
- ✓ European Siren Interlock ready.
- ✓ 10 LED signal indicator for compatible Lightbar or Traffic Stick.
- ✓ Programmable buttons in ON/OFF or momentary switch mode.
- ✓ Tool-less, no-drilling mounting via suction-cup or adhesive pad.
- ✓ All backlit rubber touch buttons.
- ✓ Available in:
 - SW830** with power module/ 5 x 0.2A + 3 x 10A Outputs.
 - SW830-2** without power module/ 4 x 0.1A + 3 x 0.2A Outputs.

Mounting:

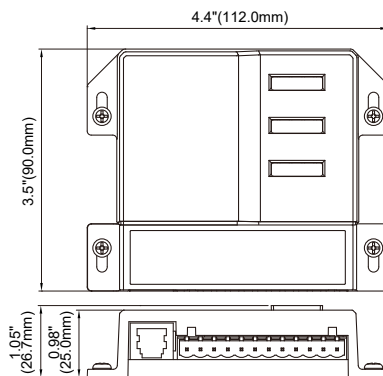


Dimensions :

Control Panel



Power Module (SW830 only)



35 selectable icon stickers to clearly label your panel :

