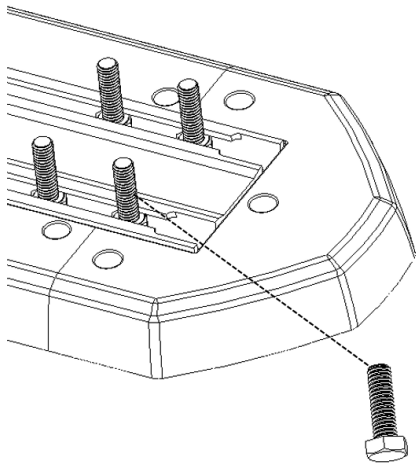


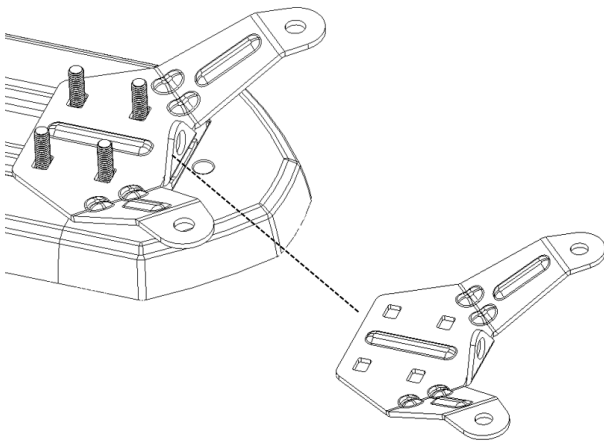
Installation Instructions

1. Slide the square head M6*20 bolts into the grooves along the bottom of the light bar.
(4 at each end)

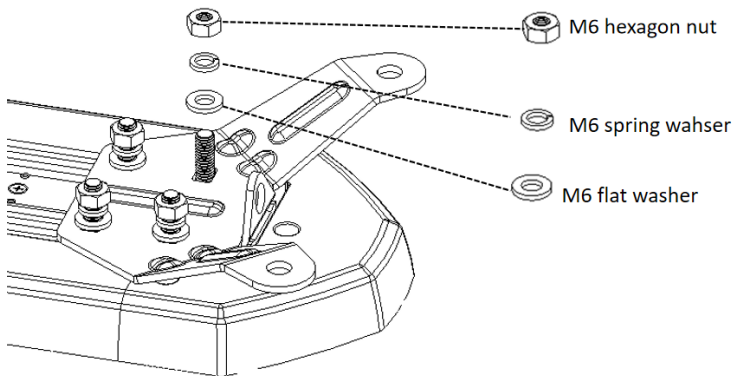


The corners of square head bolt

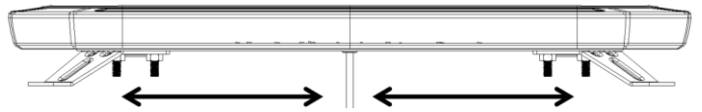
2. Install the bracket.



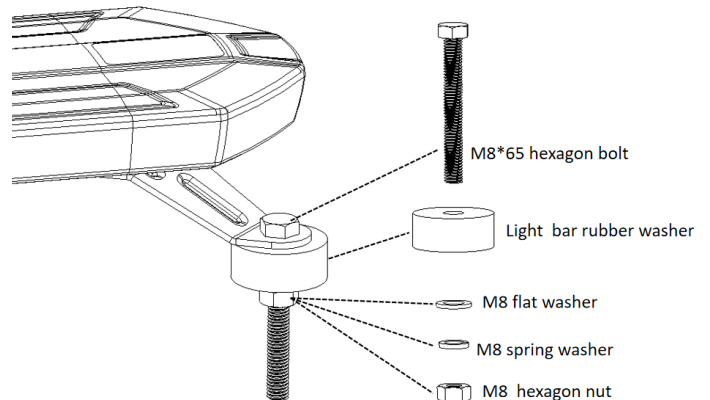
3. Put M6 flat washer, M6 spring washer and M6 hexagon nut onto the bolts installed in the grooves.



4. Adjust the bracket position to suit the profile of the vehicle roof before tightening.



5. Before drilling holes, carefully measure to find the desired location in the vehicles roof. Ensure damage is not done to electrics, the roof lining and the roof structure is not compromised. The holes should be suitable for the M8 bolt. You must drill an extra hold for the cable. It is also important that only the feet of the bracket are touching the roof of the vehicle. Install M8*65 bolt and rubber gasket above the roof and M8 flat washer, M8 spring washer and M8 hexagon nut below the roof and tighten. Ring recommends using a suitable waterproof sealant (and suitable rubber grommet for the cable) to ensure the roof is waterproof. It is also important to treat the holes drilled in the roof with a suitable rust prevention solution.



Wiring Instructions

Red – Positive

Black – Negative

Blue – Trigger for flash pattern change. Connect red to a positive supply with a 15A fuse and black to the negative/earth. To change the flash pattern, touch the blue wire to the positive supply for 1 second. Repeat this process to scroll through the 11 flash patterns.