

SRP-MS6/ED6

MS6/ED6 RegPlate Warning Unit

12~24VDC



Both available in Smoked Lens!



FEATURES

- Pre-assembled RegPlate Warning Unit for Finnish dimensions reg plates.
- Certified ECE R65 Class 2 (XA2, XB2) high performance.
- Meets ECE R65 Class 2 (XR2) standard. Certification will be applied upon request.
- Smoked lens makes your RegPlate less conspicuous for blue "unmarked" application of law enforcement vehicles.
- Flexible rubber body fits most vehicle surface.
- 3 meter cable for easy wiring installation.
- Synchronizable with other lightheads or RegPlate Units.
- Reverse polarity protection.
- Weatherproof and vibration resistant designed for external use.

SPECIFICATIONS

Compliance: ECE R65 (XA2, XB2) / Clear Lens;
ECE R65 (XA1, XB1) / Smoked Lens
ECE R10

LED Element: High intensity LED x 6 per lighthead (total 24 LEDs)

No. of Warning Patterns: 18

Operating Voltage: 12~24VDC

Avg. Current: 2.4A@12VDC / 1.2A@24VDC
(varies with flash pattern)

Max. Current: 4.7A@12VDC / 2.4A@24VDC

Avg. Power (varies with flash pattern): 28.8W

Max. Power: 57.6W

Wires: Red-Vcc : 20AWG

Black-GND : 20AWG

Yellow-Flash Patterns & Sync : 20AWG

White-Low Power : 20AWG

Cable Length: 300cm

Fuse Rating: 7.5A

Synchronization: Up to 15 lightheads

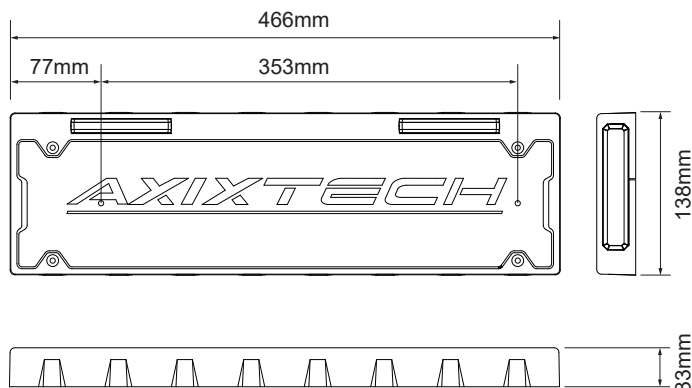
Storage Temp. (°C): -40° ~ +75°

Working Temp. (°C): -40° ~ +60°

LED Color: Amber, Blue

Lens Color: Clear, Smoked

DIMENSIONS



FLASH PATTERNS

Flash Pattern					
1	Double	[2Hz]	10	Quad	[SAE]
2	Single	[2Hz]	11	Quint	[SAE]
3	Triple	[2Hz]	12	Mega	
4	Quad	[2Hz]	13	Giga	
5	Random		14	Ultra	[SAE]
6	Steady EF*		15	Single-Quad	
7	Single	[SAE][CA13]	16	Single H/L	
8	Double	[SAE]	17	Single-Triple-Quint	
9	Triple	[SAE]	18	Steady Scene	

* For use with external flash controller.

PART No.

SRP-MS6/ED6 [Smoked Lens]

■ SRP-MS6/ED6 [Clear Lens]

SRP-MS6/ED6 [Smoked Lens]

■ SRP-MS6/ED6 [Clear Lens]

: