

Mini Stealth

12~24VDC

R65 Class II / Class I

6-LED Directional Warning Lamp (Surface Mount / Hood Mount)



Surface / Hood Mount



► Now available in
Vertical Mount Optics!

FEATURES

- R65 Class 2 (XA2, XB2, XR2*) super high power output.
- Super low profile discreet mounting.
- Available in Horizontal and Vertical mount optics.
- Hood mount with Up/Down Angle adjustable.
- 12-24VDC Multi-Voltage Input.
- Built-in 5 selectable flash patterns.
- Non-volatile memory recalls last flash pattern used at power up.
- Multi-units synchronization.
- Reverse polarity protection.
- Weatherproof and vibration resistant design for internal or external use.
- Aluminium base for efficient heat dissipation.

*Available only for special order

SPECIFICATIONS

Compliance: ECE R65 (XA2, XB2, XR2*, XA1, XB1, XR1),
ECE R10

*Available only for special order

LED Element: High-power LED x 6pcs

No. of Warning Patterns: 5

Operating Voltage: 12~24VDC

Avg. Current: XA1/XR1 0.40A@12VDC / 0.20A@24VDC
XB1/XA2/XB2/XR2 0.58A@12VDC / 0.29A@24VDC

Max. Current: XA1/XR1 0.80A@12VDC / 0.40A@24VDC
XB1/XA2/XB2/XR2 1.15A@12VDC / 0.58A@24VDC

Avg. Power: XA1/XR1 4.8W
XB1/XA2/XB2/XR2 6.9W

Max. Power: XA1/XR1 9.6W
XB1/XA2/XB2/XR2 13.8W

Hood Mount Wires:

Red-Vcc : 97cm (20AWG)
Black-GND : 97cm (20AWG)
Yellow-Flash Patterns & Sync : 97cm (20AWG)
White-Low Power : 97cm (20AWG)*

*Available only for R65 Class 2 Model

Surface Mount Wires:

Red-Vcc : 20cm (20AWG)
Black-GND : 20cm (20AWG)
Yellow-Flash Patterns & Sync : 20cm (20AWG)
White-Low Power : 20cm (20AWG)*

*Available only for R65 Class 2 Model

Fuse Rating: 2A

Synchronization: 15 Units

Storage Temp. (°C): -40° ~ +75°

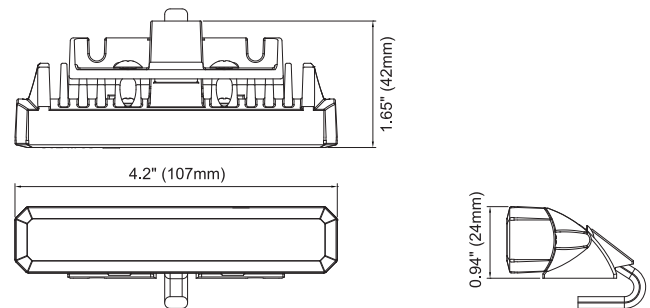
Working Temp. (°C): -30° ~ +65°

LED Colour: Amber, Blue, Red

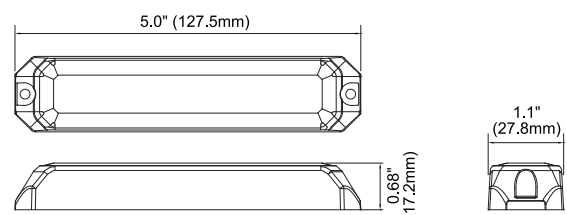
Lens Colour: Clear

DIMENSIONS

Hood Mount



Surface Mount



PART No.

M029-01x3y-000 (Hood Mount, Horizontal Type)

M029-11x3y-000 (Hood Mount, Vertical Type)

M030-01x3y-000 (Surface Mount, Horizontal Type)

M030-11x3y-000 (Surface Mount, Vertical Type)

Replace x for model:

1 = ECE R65 Class1 Model

2 = ECE R65 Class2 Model

Replace y for colour:

A = Amber LED, Clear Lens

B = Blue LED, Clear Lens

R = Red LED, Clear Lens*

*For R65 Class 2 Model, available only for special order

FLASH PATTERNS

Flash Patterns			
1	Single (2Hz)	4	Quad (2Hz)
2	Double [R65]	5	Steady
3	Triple (2Hz)		