

Wiring

To +VDC**RED**
(Fuse Rating: R4-E@2A / R6-E@3A)

To -Chassis Ground**BLACK**

Low Power**WHITE**

For Synchronization, Flash Pattern & Setting:**YELLOW**
Connect **YELLOW** wires of all lightheads together for synchronization
(all lightheads should be set at the same pattern)

Flash Pattern Selection:

For Flash Pattern, momentarily apply +VDC to **YELLOW** wire:

- once for next pattern
- quick three times to Flash Pattern #1

NOTE: This unit may not be factory-set at Flash Pattern #1

FP#	Flash Patterns
1	Double [R65]
2	Single [2Hz]
3	Triple [2Hz]
4	Quad [2Hz]
5	Random
6	Single [SAE, CA13]
7	Mega
8	Double [SAE]
9	Triple [SAE]
10	Quad [SAE]
11	Quint [SAE]
12	Ultra [SAE]
13	Single-Quad
14	Single H/L
15	Single-Triple-Quint
16	Steady*

[All approvals based on actual model ordered]

* Display Half Steady in Split Flash Mode.

Multi-unit Synchronization & Flash Mode:

Each unit may be set to 1 of the 4 different Flash Mode:

R4-E

i. Simultaneous (all) Flash



ii. Top-Down Split Flash



iii. Left-Right Split Flash



iv. Criss-Cross Split Flash



R6-E

i. Simultaneous (all) Flash



ii. Top-Down Split Flash



iii. Left-Right Split Flash



iv. Criss-Cross Split Flash



1. Enter *SETTING MODE* by apply +VDC to **RED** and **YELLOW** wires simultaneously.

2. Once in *SETTING MODE*, the unit will display its current:

- All / Split Flash Mode
- and Group in short (single or double) flashes :

Single flash = Group1

Double flash = Group2

3. Remove **YELLOW** wire from +VDC then momentarily apply +VDC to change to the desired Flash Mode and Group:

- Lighthoods of the same Group will flash together.
- Lighthoods of the different Group will flash alternately.

4. Once in desired Flash Mode and Group, save and exit *SETTING MODE* by disconnecting all power.

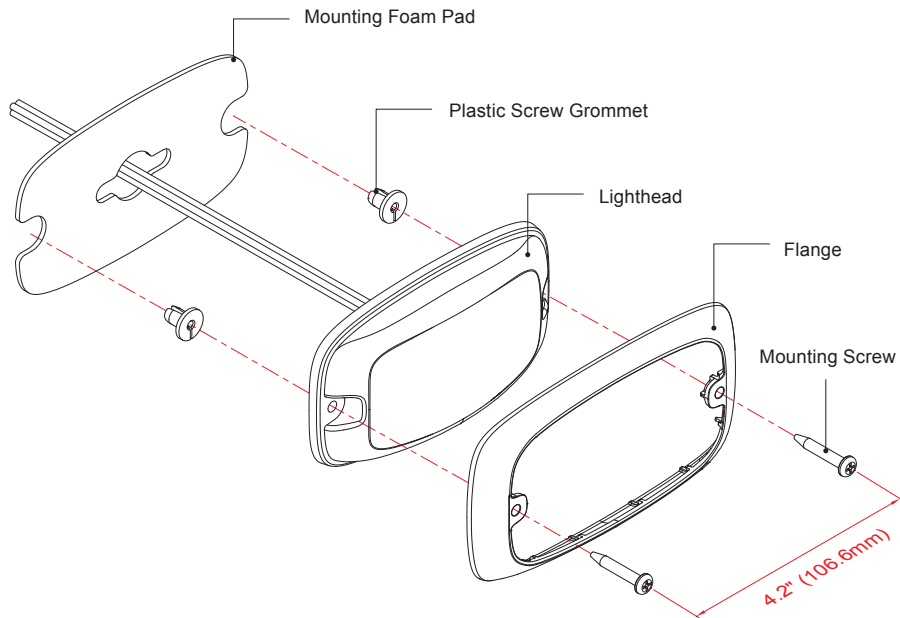
#	FLASH MODES	GROUP
1	All (default)	Group1
2	All	Group2
3	Top-Down Split	Group1
4	Top-Down Split	Group2
5	Left-Right Split	Group1
6	Left-Right Split	Group2
7	Criss-Cross Split	Group1
8	Criss-Cross Split	Group2

RESPONDER SERIES WARNING LIGHTHEAD

INSTALLATION

SURFACE MOUNT W/ FLANGE

▼ R4-E



▼ R6-E

