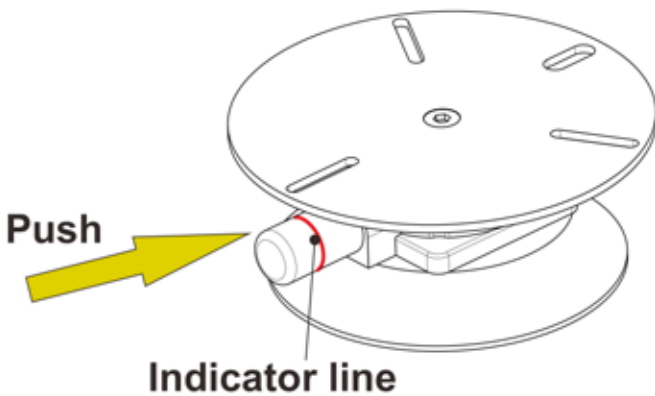


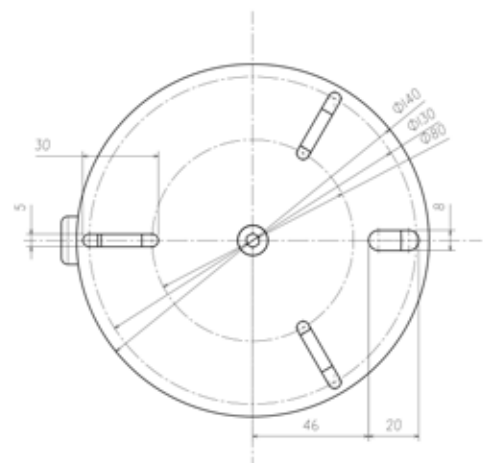
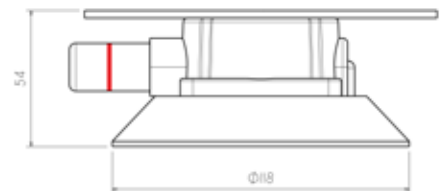
1603-412049 4.5" VACUUM SUCTION CUP

WITH 140mm METAL PLATE



FEATURES:

- >Converts magnetically mounted or bolts mounted LED beacon to suction mounting.
- >Can be modified to work other lights
- >Uses a built-in pump secure to the hold of the suction cup,with an indicator line for suction loss.
- >Provides a reliable,temporary vacuum mout,without drilling holes
- >Rubber vacuum pad will not mark or damage most surfaces.
- >Attaches to flat,smooth,nonporous surfaces.
- >Check valve allows repumping without loss of remaining vacuum.
- >Lift tabs on vacuum pad edges permit instant release.
- >Supplied with vacuum pad protector.



Use outside a vehicle while driving IS NOT RECOMMENDED!
Use while driving at DRIVERS OWN RISK!