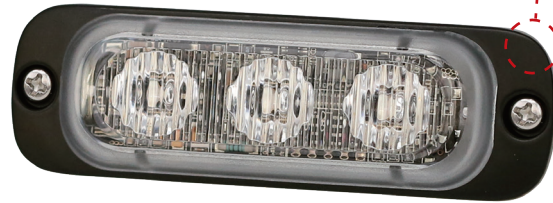
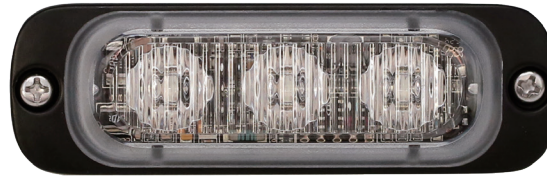


12~24VDC

# ST3 Super Thin

## ECE R65 3-LED Warning Lamp (Surface Mount)



### FEATURES

- 10.6mm super low-profile depth with powerful ECE R65 output.
- 12~24VDC operation.
- Built-in 16 flash patterns, all self-contained.
- 100,000 hours rated Long-Life LED.
- Non-volatile flash pattern memory.
- Multi-units synchronization in simultaneous or alternating flash.
- Reverse polarity protection.
- Weatherproof and shockproof capability for all environment.
- Slim base design for better visual aesthetic.
- Aluminium base for best durability and heat dissipation.

### SPECIFICATIONS

**Compliance:** ECE R65 Class 1 (XA1, XB1, XR1); ECE R10; IPX8

**LED Element:** High-power LED x 3pcs

**No. of Warning Pattern:** 16

**Operating Voltage:** 12~24VDC

**Avg. Current:** 0.3A @12VDC / 0.15A @24VDC  
(varying by flash pattern)

**Max. Current:** 0.59A @12VDC / 0.3A @24VDC

**Avg. Power:** 3.55 Watt (varying by flash pattern)

**Max. Power:** 7.1 Watt

**Wire:** Red-Vcc : 26.5cm (20AWG)  
Black-GND : 26.5cm (20AWG)  
Yellow-Flash Pattern & Sync : 26.5cm (20AWG)

**Fuse Rating:** 1A

**Synchronization:** 15 units

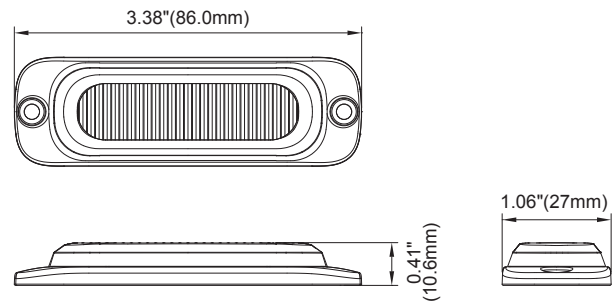
**LED Colour:** Red, Blue, Amber, White

**Lens Colour:** Clear

**Storage Temp. (°C):** -40°C to +75°C

**Working Temp. (°C):** -30°C to +65°C

### DIMENSIONS



### PART NO.

- M054-0023C-00R (ECE R65, AMBER)
- M054-0023B-00R (ECE R65, BLUE)
- M054-0023R-00R (ECE R65, RED)
- M054-0033W-00R (ECE R10, WHITE)

### FLASH PATTERN

| Flash Pattern |        |        |    |                     |
|---------------|--------|--------|----|---------------------|
| 1             | Double | [R65]* | 9  | Double              |
| 2             | Single | [2Hz]  | 10 | Triple              |
| 3             | Triple | [2Hz]  | 11 | Quad                |
| 4             | Quad   | [2Hz]  | 12 | Quint               |
| 5             | Random |        | 13 | Ultra               |
| 6             | Steady |        | 14 | Single-Quad         |
| 7             | Single |        | 15 | Single H/L          |
| 8             | Mega   |        | 16 | Single-Triple-Quint |

\*Actual approval is based on the model ordered.

**ACCESSORIES:**

**99-M054M00-000**

L-bracket Single Head



**99-M054M01-000**

Bracket Swivel Mount



**99-M054M02-000**

L-bracket Dual Heads (Left/right)



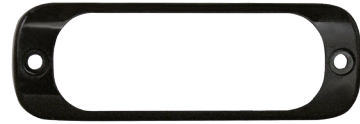
**99-M054M03-000**

L-bracket Dual Heads (Top/down)



**99-M054X00-000**

Flange Black Base Kit



**99-M054X01-000**

Flange Chrome Base Kit



**99-M054X02-000**

Flange White Base Kit

