

# SW830

## Multi-purpose Switch / Control Panel w/ Power Module



### FEATURES

- 8 switches control panel with 3 x 10Amp and 5 x 0.2Amp outputs for auxiliary device power or function activation.
- 3 Button / 4 Button mutually exclusive control grouping for Traffic Arrow application.
- All backlit rubber touch buttons.
- Fully programable buttons in ON/OFF or momentary switch mode.
- European Siren Interlock compatible.
- 10 LED signal indicator for your lightbar or traffic director.
- 35 selectable icon stickers to clearly label your panel.

### SPECIFICATIONS

**Compliance:** ECE R10

**Operating Voltage:** 10~24VDC

**Input Current:** max 32A / min 0.01A

**Output Voltage:** 10~24VDC

**Output Current:** max 0.2A x 5 ports /  
max 10A x 3ports

**Fuse Rating:** 35A @ Input

**Storage Temperature:** -40°C ~ 75°C

**Operating Temperature:** -30°C ~ 65°C

**Control Panel Cable:** 8 pin RJ45 Cable, 24AWG, 4m

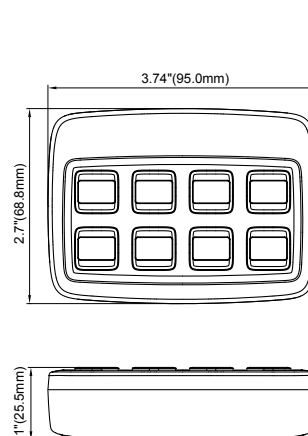
### RECOMMENDED RELAY SPECIFICATION (USER-SUPPLIED)

**Input Voltage:** 10~24 VDC

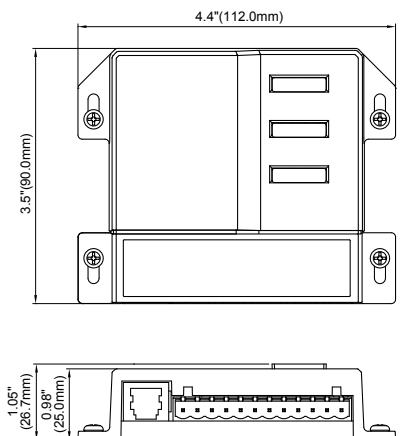
**Input Current:** < 200mA

### DIMENSIONS

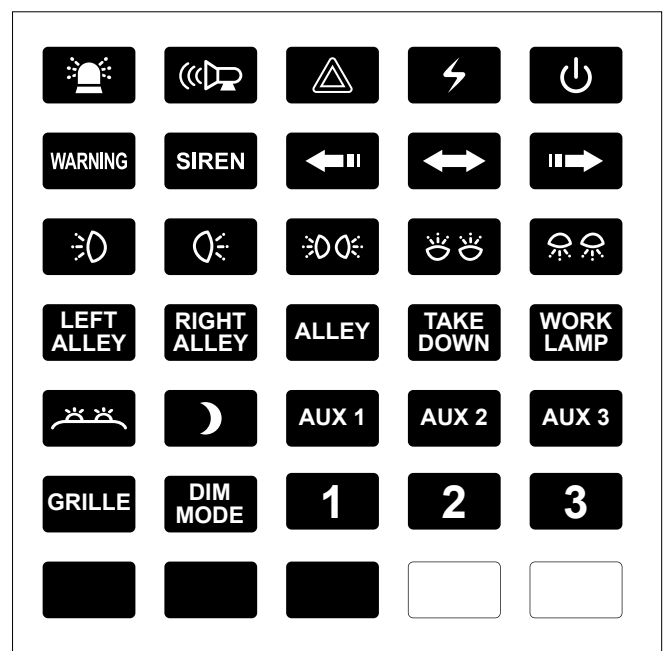
#### Control Panel



#### Power Module



### ICON STICKER



Brilliantly together

# SW830 Series Switch Control Panel

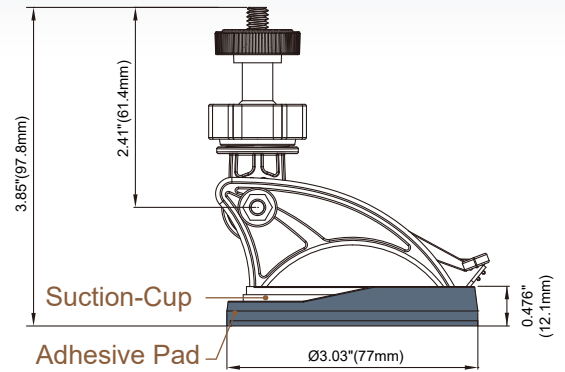
Easy Lightbar Control in One Touch.



## Features :

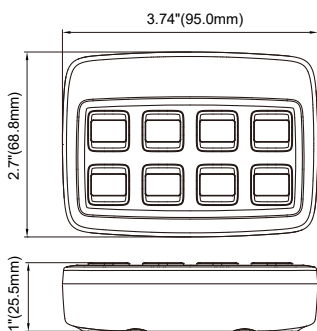
- ✓ Multi-purpose control panel.
- ✓ European Siren Interlock ready.
- ✓ 10 LED signal indicator for compatible Lightbar or Traffic Stick.
- ✓ Programmable buttons in ON/OFF or momentary switch mode.
- ✓ Tool-less, no-drilling mounting via suction-cup or adhesive pad.
- ✓ All backlit rubber touch buttons.
- ✓ Available in:
  - SW830** with power module/ 5 x 0.2A + 3 x 10A Outputs.
  - SW830-2** without power module/ 4 x 0.1A + 3 x 0.2A Outputs.

## Mounting:

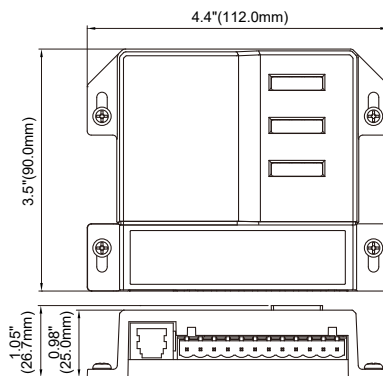


## Dimensions :

### Control Panel



### Power Module (SW830 only)



35 selectable icon stickers to clearly label your panel :

