

# ID6 Identification Lighthouse

## 6-LED Surface Mount

12-24 VDC



Dual Memory Capability

Wide view

### FEATURES

- Dual Memory capability for cross function or cross state applications.
- Extra steady on functions for vehicle identification or illumination.
- Memory override for instant emergency use.
- Wrap around side optic for wider visibility.
- Low profile for discreet mounting.
- Multiple units are synchronizable and can flash simultaneously or alternately.
- Reverse polarity protection.
- Weatherproof and vibration resistant design.
- Aluminum base for heat dissipation.

### SPECIFICATIONS

**Meets:** SAE J595 Class 1, ECE R65 (XA1, XB1), ECE R10-04

**Bulb:** High-power LED x 6pcs

**Warning Patterns:** 15 Flash Patterns (w/ 8 Modes per FP)

**Operating Voltage:** 12~24VDC

**Avg. Current:** 0.5A @12VDC / 0.25A @24VDC  
(varies with flash pattern)

**Avg. Power:** 6 Watts (varies with flash pattern)

**Max. Current:** 1A @12VDC / 0.5A @24VDC

**Max. Power:** 12 Watts

**Wires:** Red-Vcc : 25cm (20AWG)

Black-GND : 25cm (20AWG)

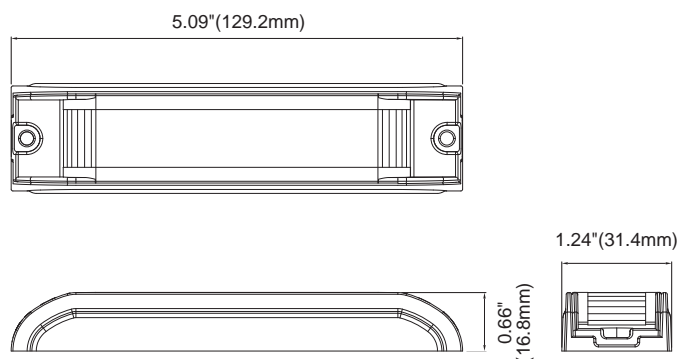
Yellow-Flash Patterns & Sync : 25cm (20AWG)

**Fuse Recommended:** 2A

**Multi-Unit Synchronization:** Over 15 units

**Available in:** RED , BLUE , AMBER , WHITE

### DIMENSIONS



### FLASH PATTERN

FP#	Flash Patterns	
1	Double (R65)	9 Quint (SAE)
2	Single (2Hz)	10 Mega
3	Triple (2Hz)	11 Ultra (SAE)
4	Quad (2Hz)	12 Single-Quad
5	Random	13 Single H/L
6	Single (SAE)	14 Steady&Warning*
7	Double (SAE)	15 Full Steady**
8	Quad (SAE)	

Warning (FP#1~13) comes with 8 Modes.

\*Steady&Warning (FP#14) comes with 8 Modes.

\*\*Full Steady (FP#15) comes with 6 Modes.